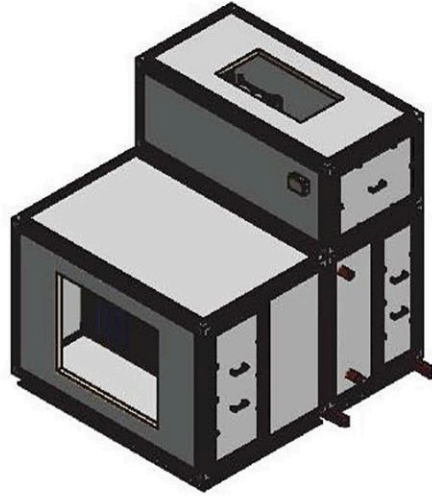
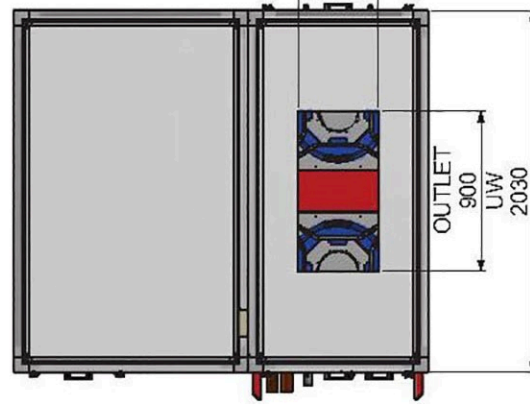


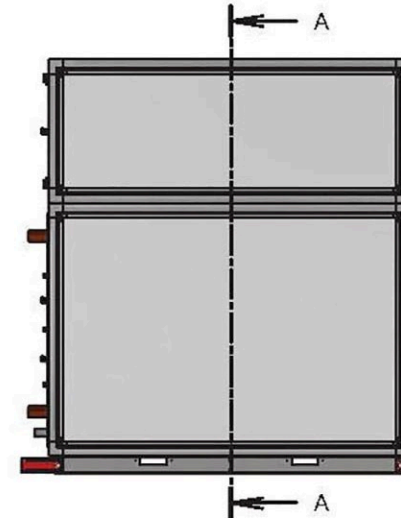
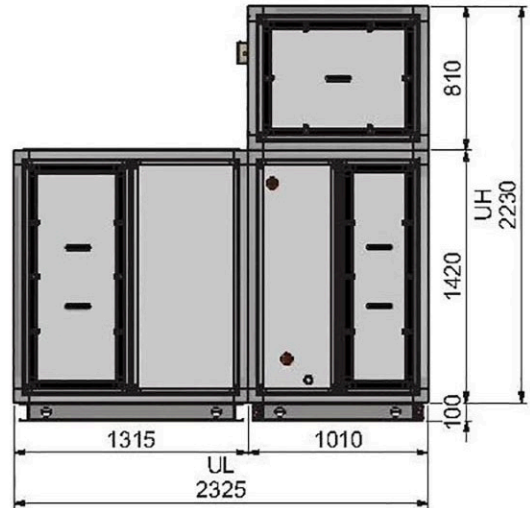
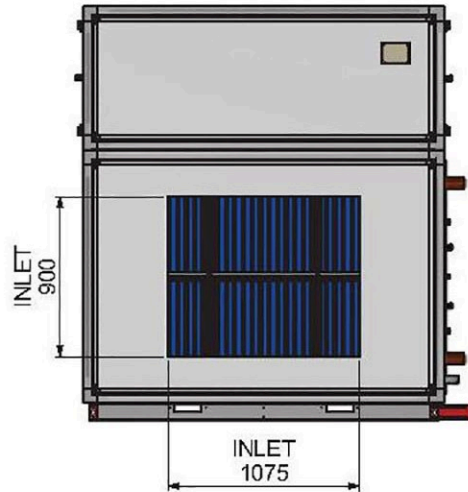
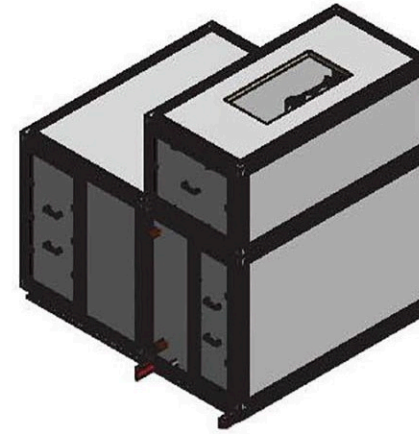
VIEW ISO 1 (1 : 40)



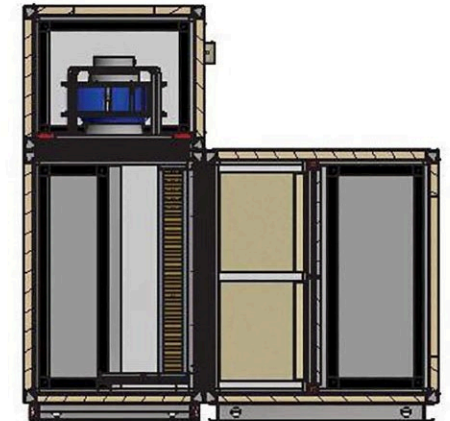
OUTLET
450



VIEW ISO 2 (1 : 40)



A-A (1 : 30)



UNLESS OTHERWISE SPECIFIED
DIMENSIONS ARE IN MILLIMETRES
BREAK AND Omit ALL DIMENSIONS
3rd ANGLE
PROJECTION
DO NOT SCALE DRAWING

Rev	By	Date	Description
001	Toh	19/05/2017	Initial Released

Fantech Pty Ltd. A.C.N. 605 434 024
45 NESTOR DRIVE, MEACOWBROOK, QUEENSLAND AUSTRALIA 4131
TELEPHONE (07) 32 999 888 FACSIMILE (07) 32 999 800



DRAWN: Toh	DATE: 19/5/2017
CHKD: Sean	DATE: -
APPRD: JT	DATE: -

General Layout
ME2B-V406G3-FPL,
GR50C(Y73724)x2

DRAWING NO: 868-8030-1406	REV: /00	SCALE: 1 : 30	SIZE: A3
---------------------------	----------	---------------	----------